

# UPVC Windows and Doors, System MD - AD

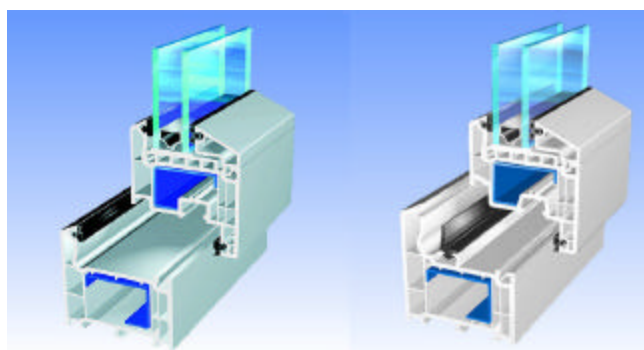
Custom made by European Craftsmen, in Gomaringen Germany



Maintenance Free-Exceptional Thermal & Noise Insulation- Affordable-Secure-Limitless Configurations



1. MD Window System
2. Technical Specifications
3. AD Entrance Door System
4. MD Balcony Doors
5. Lift & Slide Door System
6. Tilt & Slide Door System



AD System

MD System

# Steel Reinforced UPVC Windows

As an exterior façade element, windows give the face of a building its character. On the inside, they define comfort and create atmosphere. A window is therefore only truly innovative, if it meets the essential requirements for warmth, quiet and security, while also providing an up-to-date design.

Versatile forms, perfect functionality paired with optimum user-friendliness – those are the most important criteria that concern the modern design of individual living and working spaces. But high demands on thermal insulation, sound protection and security also define the new trend towards a modern standard of living.

## Premium quality and maximum comfort is our goal.

The Fauser profile system is versatile, because Fauser MD offers a sensible combination of thermal insulation, sound protection and burglarproof security, combined with a contemporary design. Based on 40 years of experience in plastics processing, Fauser MD meets all current demands as well as future demands on quality and functionality, because with innovative technology, the regulations that are expected for tomorrow are already met today. Whether windows or doors, choosing the 5-chamber Fauser MD profile system is taking a decisive step towards the future.

### Optimal protection against wind and weather

Large-volume, welded corners on centre and rebate seals guarantee high functional reliability and effective weather protection.

### Prevents thermal bridges

The new profiles are **true 5-chamber profiles**. Together with a 73-mm construction depth, they offer exceptional isothermal characteristics.

### High-degree of thermal insulation and sound protection

The profiles are true 5-chamber systems. A construction depth of 73 mm and a 16-mm glazing recess, allow the installation of glazing up to 43 mm thick.

### Reliable security

The 73 mm construction depth permits large steel reinforcement for greatest stability and torsion rigidity. The security fittings are screwed directly into the steel reinforcement.

### Large selection of forms and colors.

A versatile selection of profiles and colors provides freedom for custom designs.



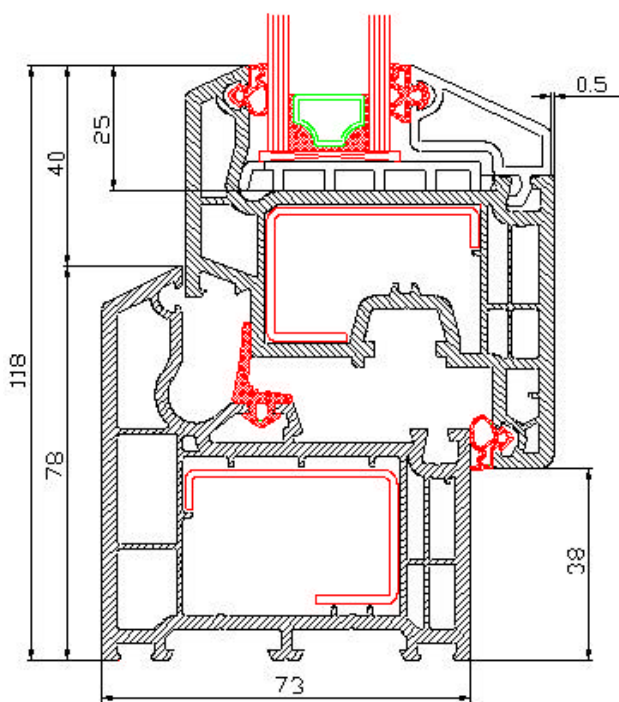
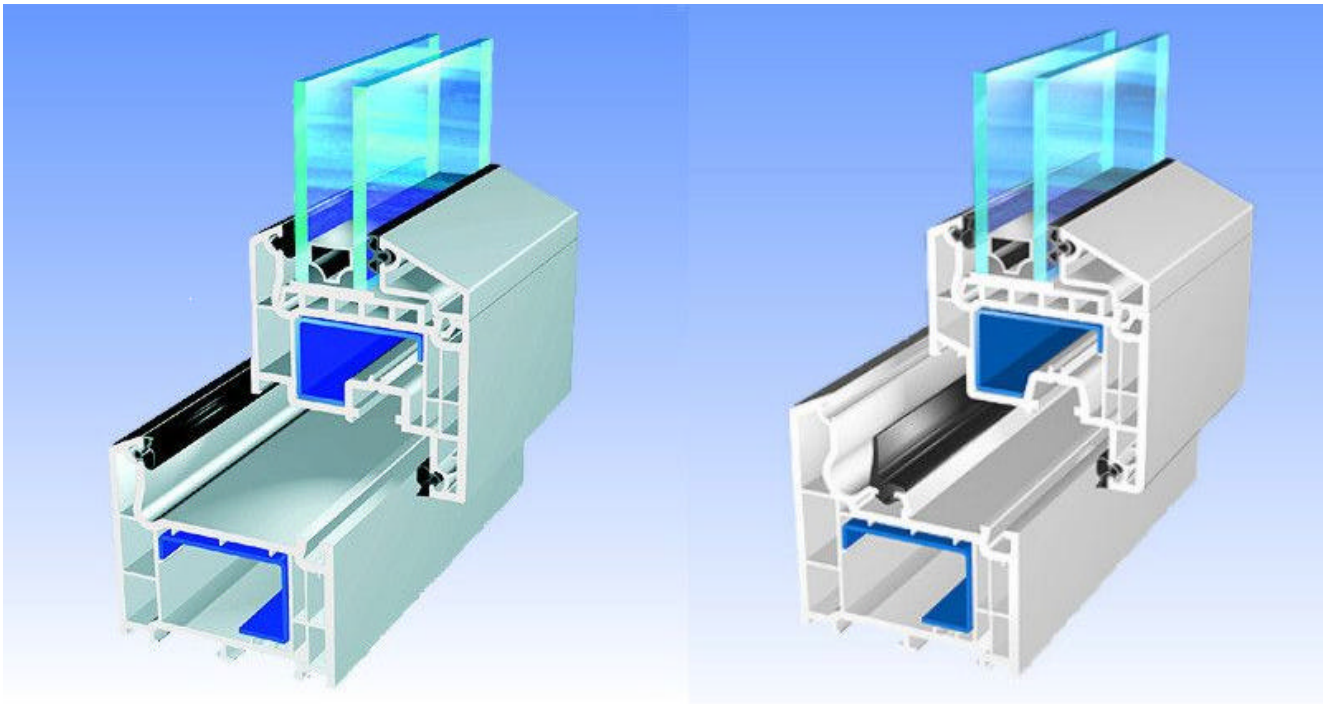
The MD window and door system uses exclusively **Tilt & Turn opening mechanism**: A 90-degree turn of the handle opens the window like a casement, for easy egress/regress and also for easy cleaning. Another turn of 90 degree will tilt the window inside on top. This allows for superior ventilation while still providing a measure of security and also keeping rain out.



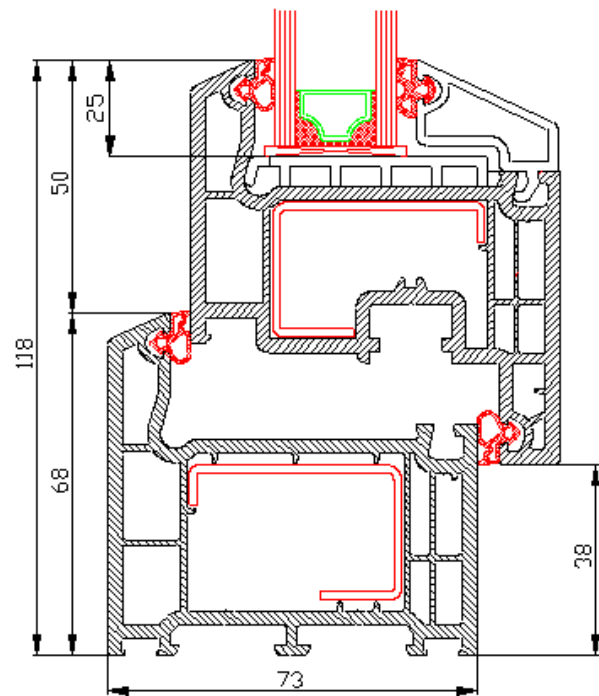
## Technical Specifications:

- **Maximum Stability** with 73mm frame, steel reinforcement and 4-chamber insulation
- **Thermal Insulation Value**: U 0.29 or R 3.45
- **Wind Resistance**: A standard MD system window is tested and certified for steady wind loads of up to 25 lbs per sq.ft and short loads (7 seconds) of up to 63 lbs per sq.ft. These loads reflect a wind speed of 100 mph respectively 145 mph.
- **Water Resistance**: Tested and certified to show no water intrusion at positive and negative pressure of up to 28 lbs per sq.ft
- **Available Security Levels**: from A 3 (burglarproof) to B 3 for high-risk areas
- **Noise Control Levels** from:
  - 32 dB for standard glazing (4mm glass – 16mm Argon filled Insulation space – 4mm lowE inner pane
  - 42 dB for A 3 security glazing (10mm laminated glass – 16mm Argon filled insulation space – 4mm pane
  - 52 dB for B 1 security glazing (18mm laminated glass – 10mm Argon filled insulation space – 4mm pane

For window and door configurations, please download the **CONFIGURATION CATALOG**.



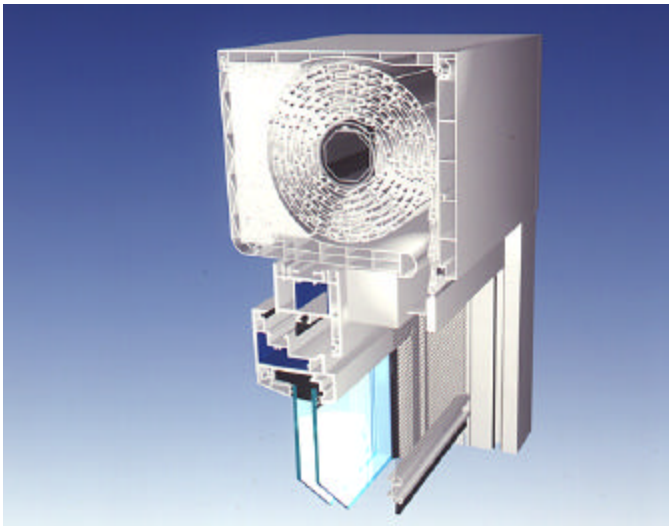
MD System



AD System

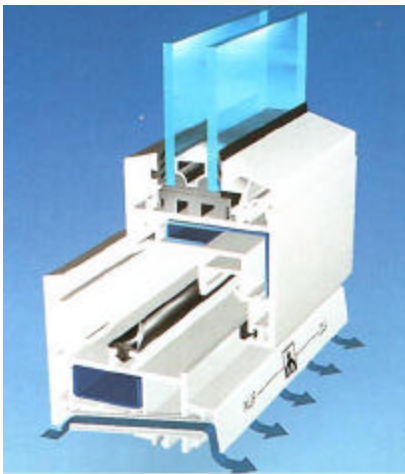
### Options:

- ?? Built-in Rolling Shutters
- ?? Motorized Transom Windows
- ?? Built-in-between-the-glass Blinds
- ?? Electrically Controlled Glass, switches from totally clear to black (\$180.00 sq.ft)



With built in rolling shutters, either manual or motorized, enjoy privacy and the benefit of added thermal insulation values and noise control. This very popular European design is both elegant and functional. Available in a variety of colors.

The versatility of steel reinforced UPVC is approved in even the most stringent restoration projects. Please download the **Historical Restoration True to Style** catalog for more information.



Permanent and built-in ventilation



We also carry a new and high security Rolling Shutter System. Please download the shutter catalog from our menu. These new shutters have solid aluminum slats and can be built up to a width of 8.5 feet and a height of 10 feet.

# Entrance Doors

They should be beautiful. They must function perfectly. And then there is thermal insulation, sound protection and burglarproof security...

Those who are looking for an entrance door place a number of functional as well as aesthetic demands on the construction of a modern door. Rightly so, because entrance doors are subject to great long-term stress and strain. That is why optimum thermal insulation, sound protection, burglarproof protection together with an attractive design is our top priority.

These are properties that the new 4-chamber entrance door profiles from the Fauser AD system unite perfectly. On the one hand, Fauser AD offers a contemporary design for modern people. On the other hand, the innovative four-chamber design guarantees perfect thermal insulation and maximum sound protection. Large-dimensioned steel reinforcement chambers assure torsional rigidity and maximum stability.



Our Entrance Door Systems can be used to build inward as well as outward-opening doors. Balcony doors can only be built to turn inwards. Fitted with the appropriate hardware, Fauser AD entrance doors offer optimum usability for all types of applications, including the construction of panic doors. The inside stile provides optimum contact pressure and is designed to accept conventional locking hardware. Locking rails or individual striker plates together with locks with 20-mm locking plates, available as three or five-point locking mechanisms with locking or swing bolts, provide premium class security. Welded corner connectors further stabilize the construction. Glazing with pane thickness of up to 43 mm and all commercially available vinyl and aluminum panels can be used.

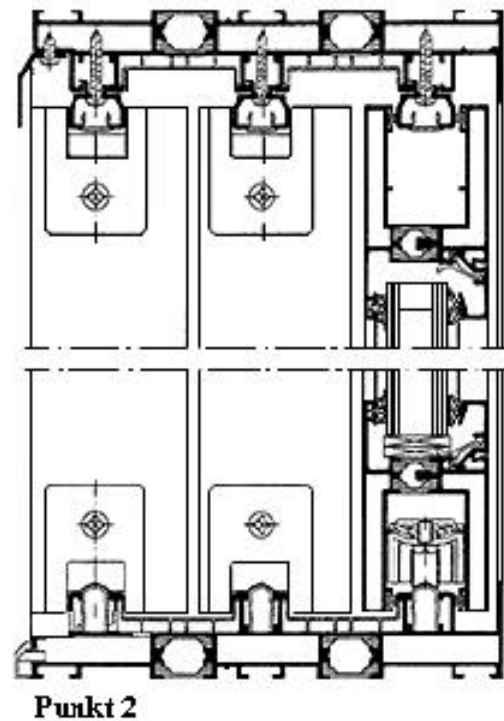
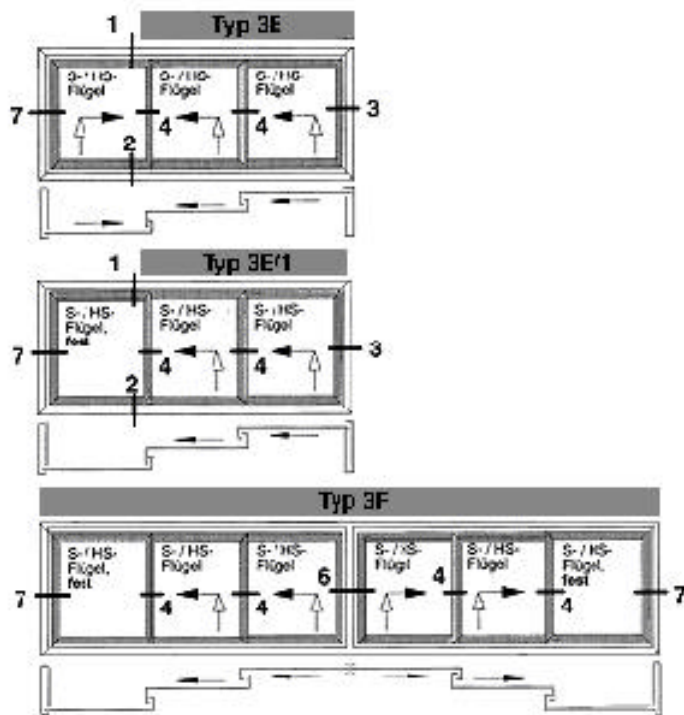
**You Design the Door – We build it**

# Lift & Slide Doors

Aesthetic design. High functionality. Unbeatably long service life. That distinguishes the lift and slide door system from Fauser.

An ideal system for patios, balconies or conservatories, our lift and slide door system impresses with its extremely stable construction. Furthermore, the multi-chamber system provides optimum thermal insulation since the threshold is thermally isolated through a three-part construction. And finally, it has harmonious contours with rounded edges and a stylish flush look.

All in all, a perfectly thought-out lift and slide door system for people, who love to realize visions.



# Tilt and Slide Doors

The most affordable sliding door is our Lift and Slide system. Available for widths of up to max. 10 feet and heights of up to 8 feet. These doors are unique as the fixed panel is on the same plane as the slider when closed. Once you turn the handle 30degree, the sliding panel first tilts inwards for ventilation. Turn the handle another 45 degree and the lower part swings out and the door then can be moved.



Be aware that these doors have a 3" threshold and cannot be recessed! If this is not acceptable, the only other option then is a lift and slide door.